


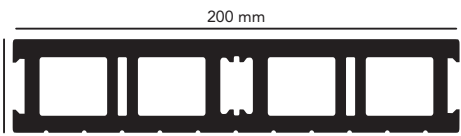
ASENNUSOHJE / INSTALLATION GUIDE – Luna TWPC 42×200

LUNAWOOD
Thermowood Plastic Composite (TWPC)




T-Hide Clip

KOOLAUS / SUPPORT
80 cm = 8 kpl/pcs/m²
60 cm = 10 kpl/pcs/m²
40 cm = 14 kpl/pcs/m²




200 mm
42 mm

4,83 jm/m²
4,83 rm/m²



Power drill

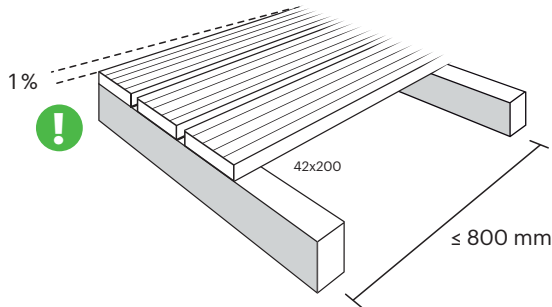
**RUOSTUMATON
ROSTFREI
STAINLESS
INOXYDABLE
ROSTFRI**



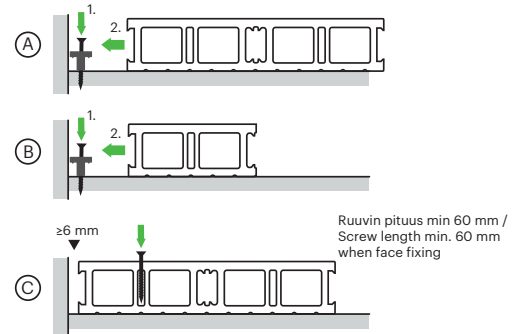
4 – 4,2 × 35 – 45 mm
← Ø max 8 mm

Screw

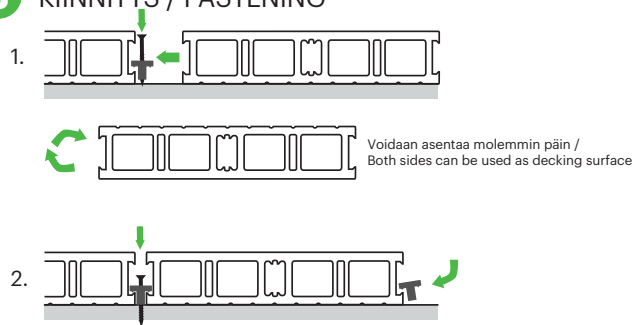
1 PERUSTA / SUPPORTING STRUCTURE



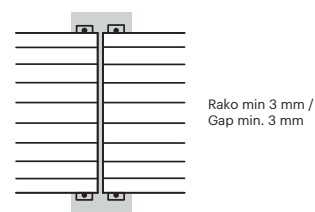
2 ALOITUS / TO START



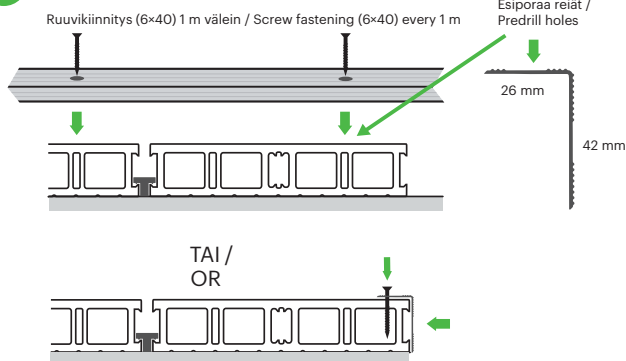
3 KIINNITYS / FASTENING



4 LAUDAN JATKAMINEN / END TO END JUNCTION



5 REUNALISTA (L 26×42) / SIDE STRIP



6 VIIMEISTELY / FINALIZING

